



gas outdoor fireplaces

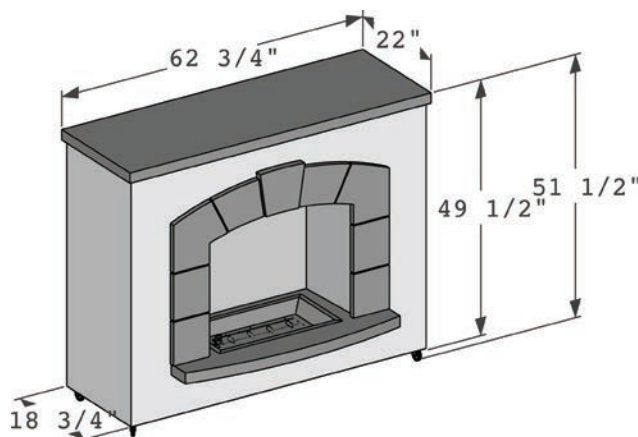
Make your outdoor room memorable with a beautiful gas fireplace. These gas fireplaces make a statement that your friends and family won't forget.

stone arch



SAFP-1224

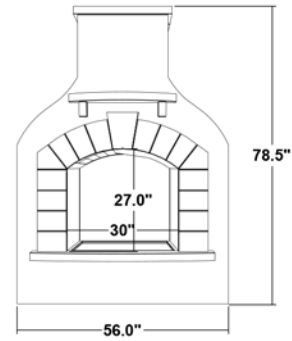
- Galvanized frame system with MGOOutdoor board and exterior Stony Creek stucco finish
- Supercast concrete insert, mantel, and top cap
- Comes standard with CF1224 Crystal Fire™ Burner
- Stores 20 lb. LP tank in base. Made in USA.
- Optional decorative CF1224-LOG SET and CVR-SAFP-T tan vinyl cover
- Can be used on any flat surface, such as a deck, concrete, and brick pavers
- 5 year frame warranty. 1 year warranty on burner
- Available unfinished
- weight: 400 lbs.



sonoma



- Galvanized frame system with MGOOutdoor board and exterior Stony Creek stucco finish
- Supercast concrete insert, mantel, and top cap
- Comes standard with CF1224 Crystal Fire™ Burner
- Made in USA.
- Optional decorative CF1224-LOG SET
- Can be used on any flat surface, such as a deck, concrete, and brick pavers
- 5 year frame warranty. 1 year warranty on burner
- Available unfinished
- weight: 650 lbs.



accessories



OPTIONAL FAUX LOGSET & LAVA ROCK

Add a realistic element to your fireplace.



THE OUTDOOR
GREATROOM
COMPANY



14400 Southcross Drive West • Suite 100 • Burnsville, MN 55306
Toll Free: 1.866.303.4028 • Sales@OutdoorRooms.com

OutdoorRooms.com

REV12-16